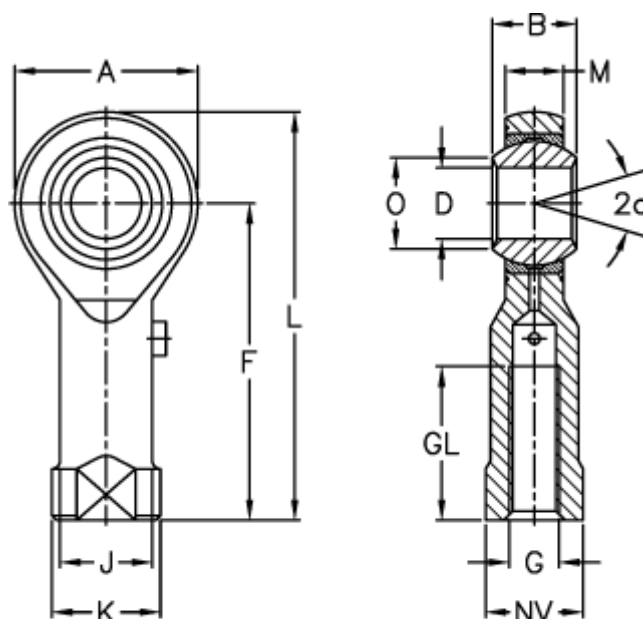


Article number: 03015014

Description: Fluro Rod End GIRS 14-R  
Housing and ball in stainless steel

## Measures



Str. 3 uden smørenippel

A	= 36	J	= 20	Weight (g) = 170
a (degrees)	= 16	K	= 25	
B	= 19	L	= 75	
D	= 14	M	= 13.5	
Dynamic load C (kN)	= 17	NV	= 22	
F	= 57	O	= 16.8	
G	= M14	Permissible rpm	= 750	
GL	= 25	Static load C0 (kN)	= 39.5	